

# Green Triplex PM250M01

Mono-Crystalline  
Photovoltaic Module



255W  
280W

**Power Range**  
255 ~ 280 Wp



**Highly Strengthened Design**

Module complies with advanced loading tests to meet 5400 Pa loading requirements



**IP-67 Rated Junction Box**

Advanced water and dust proof level



**Flammability Test**

Low ignitability ensuring fire safety



**PID-Free**



**Anti-Reflection Coated Glass**

Anti-reflective surface enhances the power performance



**Ammonia Test**

Reliable in ammonia rich environment



**Resistance to Salt Corrosion and Humidity**

Module complies with IEC 61701: Salt Mist Corrosion Testing



BenQ  
Solar

# GreenTriplex PM250M01 (255 ~ 280 Wp)

## Electrical Data

Typ. Nominal Power $P_N$	255 W	260 W	265 W	270 W	275 W	280 W
Typ. Module Efficiency	15.8%	16.1%	16.4%	16.8%	17.1%	17.4%
Typ. Nominal Voltage $V_{mp}$ (V)	30.3	30.8	31.3	31.8	32.3	32.7
Typ. Nominal Current $I_{mp}$ (A)	8.42	8.45	8.47	8.50	8.52	8.57
Typ. Open Circuit Voltage $V_{oc}$ (V)	37.8	38.0	38.2	38.5	38.7	38.9
Typ. Short Circuit Current $I_{sc}$ (A)	8.94	8.96	8.98	9.01	9.03	9.06
Maximum Tolerance of $P_N$	0 / +3%					

- \* Above data are the effective measurement at Standard Test Conditions (STC)
- \* STC: irradiance 1000 W/m<sup>2</sup>, spectral distribution AM 1.5, temperature 25 ± 2 °C, in accordance with EN 60904-3
- \* The given electrical data are nominal values which account for basic measurements and manufacturing tolerances of ±10%, with the exception of  $P_N$ . The classifications is performed according to  $P_N$

## Temperature Coefficient

NOCT	46 ± 2 °C
Typ. Temperature Coefficient of $P_N$	-0.44% / K
Typ. Temperature Coefficient of $V_{oc}$	-0.30% / K
Temperature Coefficient of $I_{sc}$	0.06% / K

- \* NOCT: Normal Operation Cell Temperature, measuring conditions: irradiance 800 W/m<sup>2</sup>, AM 1.5, air temperature 20 °C, wind speed 1 m/s

## Mechanical Characteristics

Dimensions (L x W x H)	1639 x 983 x 40 mm (64.53 x 38.70 x 1.57 in)
Weight	18.5 kg (40.79 lbs)
Front Glass	High transparent solar glass (tempered), 3.2 mm
Cell	60 monocrystalline solar cells, 156 x 156 mm (6 x 6 in)
Cell Encapsulation	EVA
Back Sheet	Composite film
Frame	Anodized aluminum frame
Junction Box	IP-67 rated with 3 bypass diodes
Connector Type & Cables	TE Connectivity PV4 : 1 x 4 mm <sup>2</sup> (0.04 x 0.16 in <sup>2</sup> ), Length: each 1.0m (39.37 in) YUKITA YS-254/ YS-255 : 1 x 4 mm <sup>2</sup> (0.04 x 0.16 in <sup>2</sup> ), Length: each 1.065m (41.93 in)

## Operating Conditions

Operating Temperature	-40 ~ +85 °C
Ambient Temperature Range	-40 ~ +45 °C
Max. System Voltage IEC/UL	1000 V / 1000 V
Serial Fuse Rating	15 A
Maximum Surface Load Capacity	Tested up to 5400 Pa according to IEC 61215 (advanced test)

## Warranties and Certifications

Product Warranty	Maximum 10 years for material and workmanship
Performance Guarantee	Guaranteed linear degradation to 80% for 25 years *1
Certifications	According to IEC/EN 61215, IEC/EN 61730 and UL 1703 guidelines *2

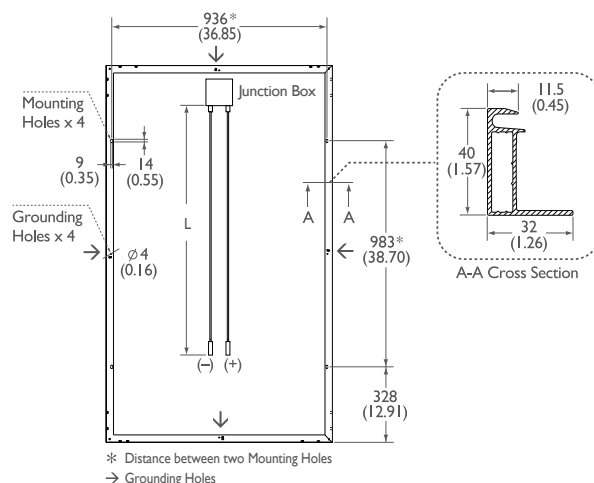
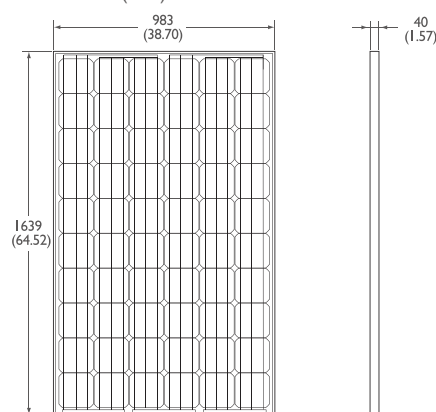
\*1: Please refer to warranty letter for detail

\*2: Please confirm other certifications with official dealers

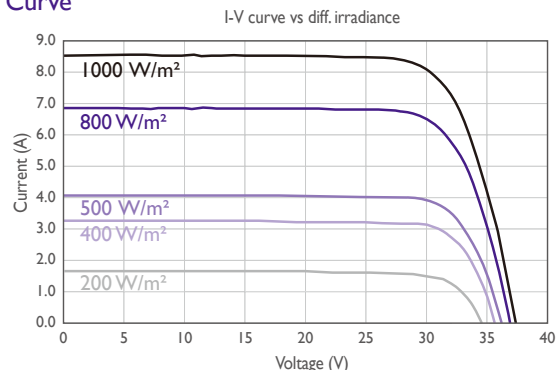
## Packing Configuration

Container	20' GP	40' GP	40' HQ
Pieces per Pallet	26	26	26
Pallets per Container	6	14	28
Pieces per Container	156	364	728

## Dimensions mm (inch)



## I-V Curve



Current/voltage characteristics with dependence on irradiance and module temperature.

Dealer Stamp



## AU Optronics Corporation

No. 1, Li-Hsin Rd. 2, Hsinchu Science Park, Hsinchu 30078, Taiwan

Tel: +886-3-500-8899 www.BenQSolar.com



BenQ Solar is a division of AU Optronics This datasheet is printed with Soy Ink  
© Copyright July 2014 AU Optronics Corp. All rights reserved. Information may change without notice.



BenQ  
Solar